

## CTSS80系列 不锈钢手动线性位移台

CTSS80 Stainless Steel Manual Linear Stage

CTSS80-(X) CTSSXY80-(X)  
CTSSXYZ80-(X)



CTSS80系列不锈钢手动线性位移台

Model	CTSS80-(X)	CTSSXY80-(X)	CTSSXYZ80-(X)
行程(mm)		±12.5	
水平负载(kg)	27	20	5
灵敏度(μm)		2	
平行度(μm)		8	
直线度(μm)		5	
微分头最小读数(mm)		0.01	
位移方向	X轴	XY轴	XYZ轴



- 在上板与下板同时对导轨进行直接加工,加工误差与组装误差极少。
- 采用哥德式圆弧槽,滚珠与轨道成45度四点接触,可进行高精度、平滑的移动
- 主体材料采用SUS440C不锈钢,防锈能力强

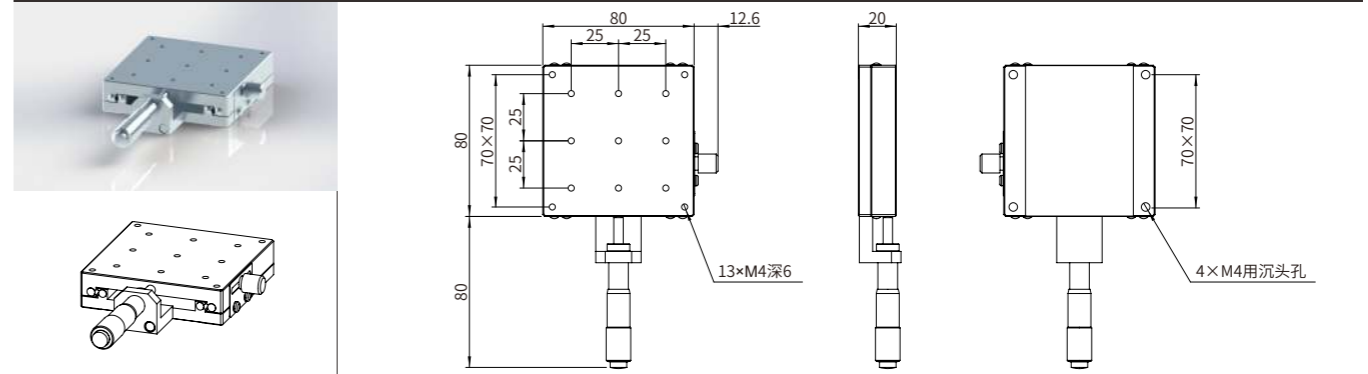
## 产品简介 OVERVIEW

CTSS80系列产品是菲克科技开发的不锈钢手动线性位移台,台面尺寸80×80mm。该系列产品主体材料采用SUS440C 不锈钢,强度高、耐磨性好、外形美观。在上板与下板同时对导轨进行直接加工,加工误差与组装误差极少,精密微分头驱动,负载能力较强、耐用性好,而且结构紧凑,空间尺寸小。采用哥德式圆弧槽,滚珠与轨道成45度四点接触,可进行高精度、平滑的移动,该系列产品具有不大于2μm的灵敏度。

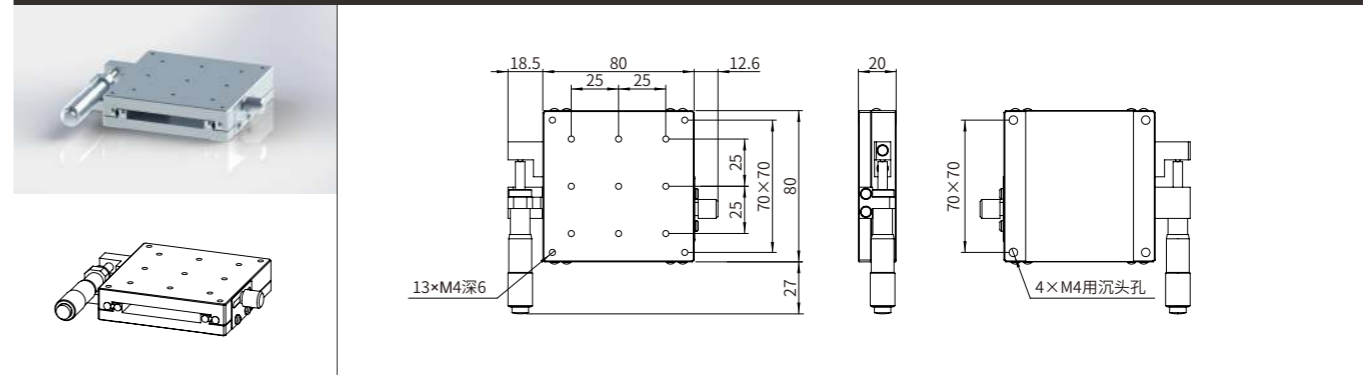
The CTSS80 series is a stainless steel manual linear stage developed by Feinixs, table size 80\*80mm. The main material of this products is made of SUS440C stainless steel, which has high strength, good wear resistance and beautiful appearance. The guide rail is directly processed on the upper plate and the lower plate at the same time, the machining error and assembly error are very small, precision differentiator head drive, heavy load, good durability, and the structure is compact and the space size is small. Using Gothic arc groove, the ball and the track are in contact with the track at 45 degrees at four points, which can move with high precision and smoothness. This series of products has a sensitivity of no more than 2μm.

## 产品图纸 DIMENSIONS

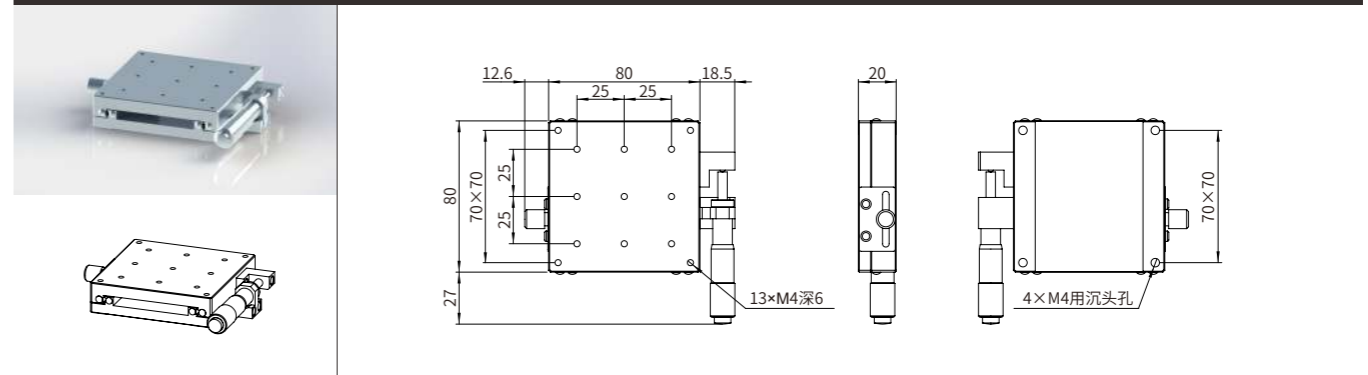
CTSS80-C



CTSS80-L



CTSS80-R



CTSS80系列  
不锈钢手动线性位移台

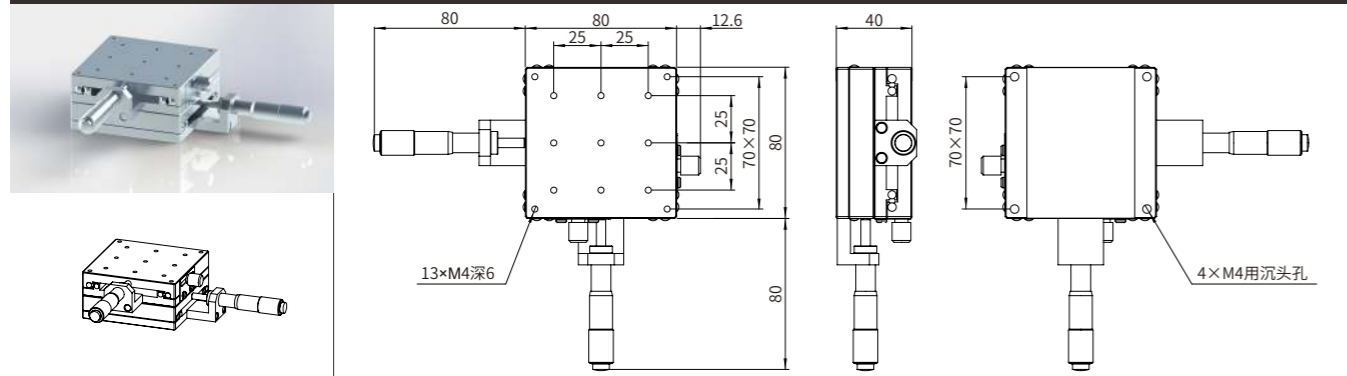
CTSS80 Stainless Steel Manual Linear Stage

CTSS80-(X) CTSSXY80-(X)  
CTSSXYZ80-(X)



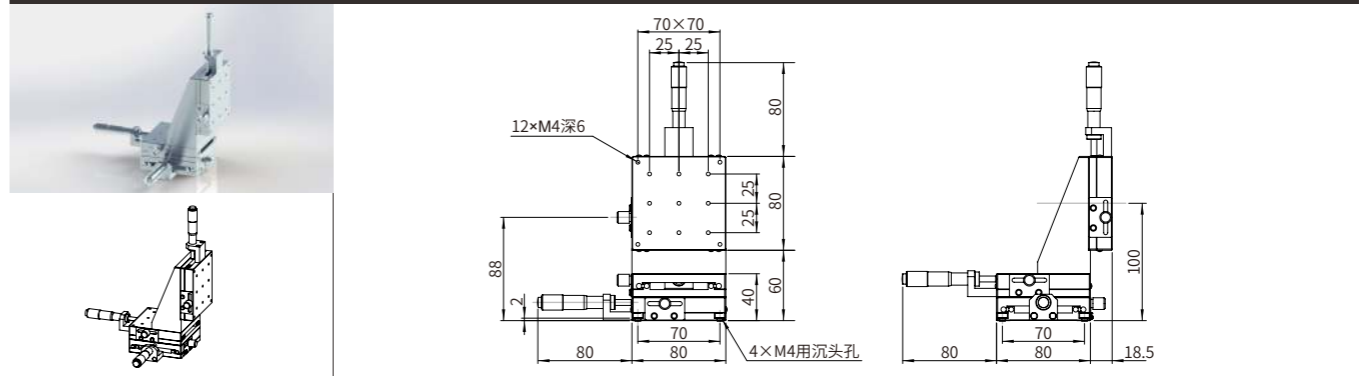
产品图纸 DIMENSIONS

CTSSXY80-C

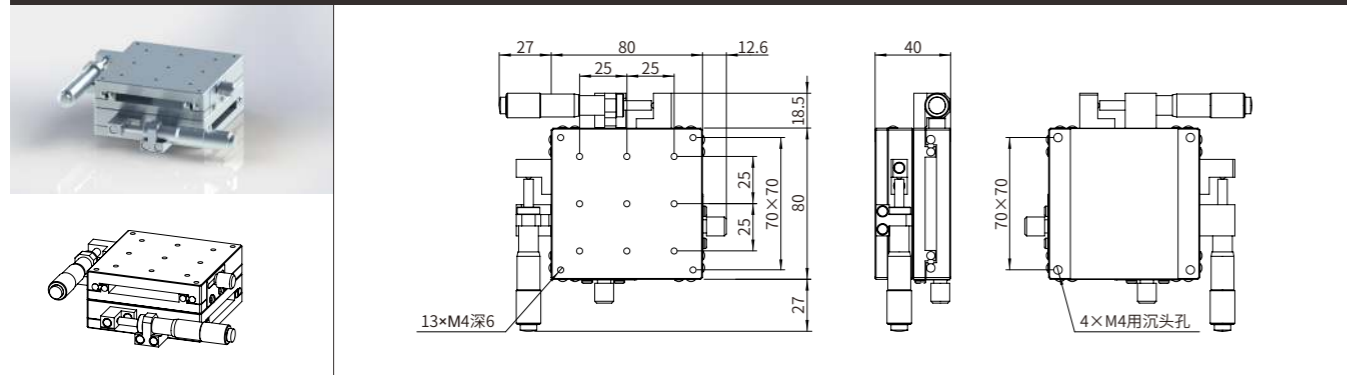


产品图纸 DIMENSIONS

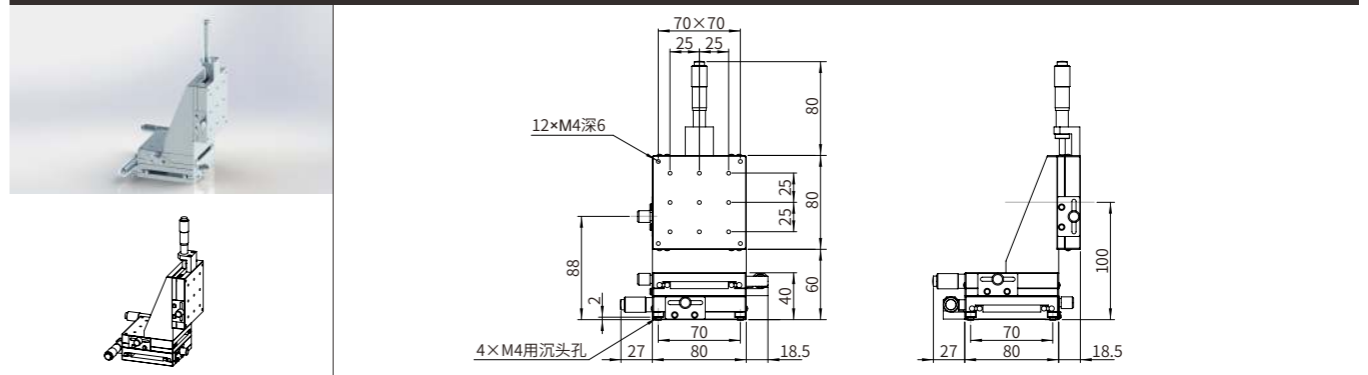
CTSSXYZ80-C



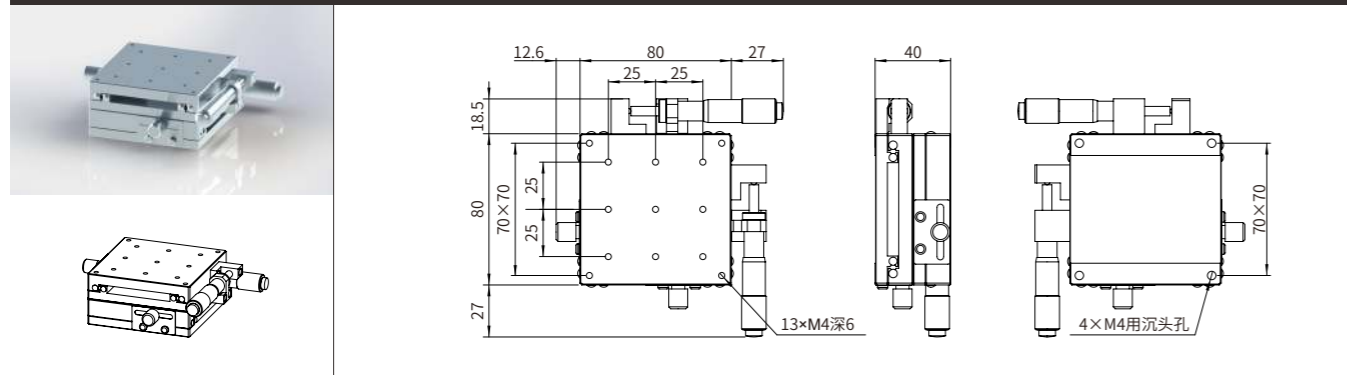
CTSSXY80-L



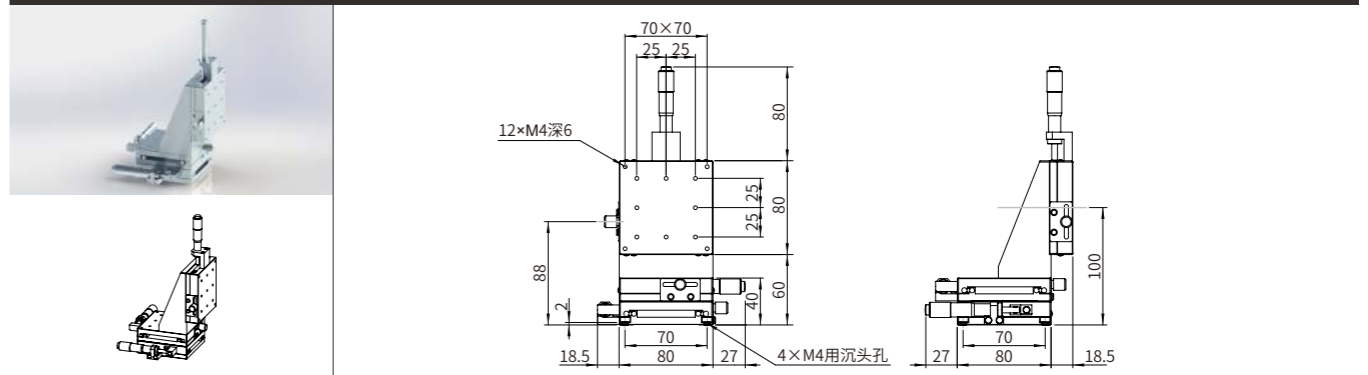
CTSSXYZ80-L



CTSSXY80-R



CTSSXYZ80-R



**CTSS80系列**  
**不锈钢手动线性位移台**

CTSS80 Stainless Steel Manual Linear Stage

CTSS80-(X) CTSSXY80-(X)  
 CTSSXYZ80-(X)



**产品参数** SPECIFICATIONS

Model	CTSS80-(X)	CTSSXY80-(X)	CTSSXYZ80-(X)
行程(mm)	±12.5		
水平负载(kg)	27	20	5
位移方向	X轴	XY轴	XYZ轴
灵敏度(μm)	2		
平行度(μm)	8		
直线度(μm)	5		
微分头最小读数(mm)	0.01		
导轨	线性滚珠导轨		
驱动方式	微分头		
驱动位置	X- C:中心驱动;L:左侧驱动; R:右侧驱动		
主体材料及表面处理	不锈钢		
台面尺寸(mm)	80X80		
厚度(mm)	20	40	/
自重(kg)	0.9	1.8	3